


Track Mount LED Emergency Light Tracxlite 1

- Classification: 3W-D50/4W-D63.
- AS2293 standard compliance.
- 3 years warranty on the fitting.
- Non-maintained operation only.
- Self-contained LED emergency light for track installation.
- PC fire-proof enclosure and aluminium alloy heat radiator.
- Top quality Battery backup - Lithium Iron Phosphate (LiFePO4).
- LED lamps provide high efficiency, durability and low energy consumption.
- Cooperative Supplier : **PHILIPS** 

Track Mount LED Emergency Light Tracxlite 1

Product description

- 3 years warranty on the fitting.
- Non-maintained operation only.
- Self-contained LED emergency light for track installation.
- PC fire-proof enclosure and aluminium alloy heat radiator.
- Top quality Battery backup - Lithium Iron Phosphate (LiFePO4).
- LED lamps provide high efficiency, durability and low energy consumption.
- Suitable for various indoor environments, such as retail outlets, supermarkets, hospitality, museum, etc.

Note

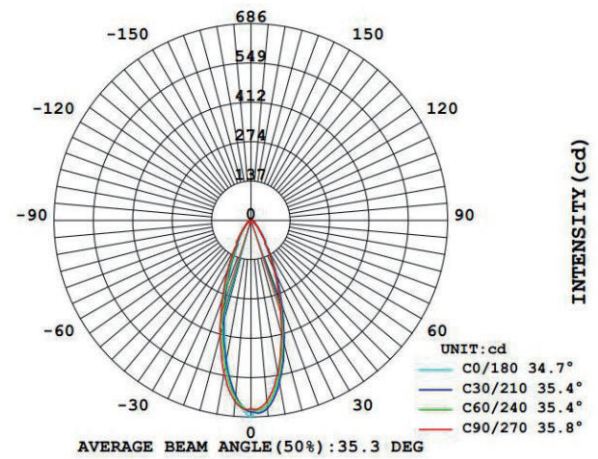
- Ambient range $t_a: 0 \dots 60^\circ\text{C}$.
- Use in damp and dry environment.
- Ip44 protection, relies on end-product enclosure for protection against accidental contact live parts.
- Not intended for use in luminaries for high-risk task area lighting.



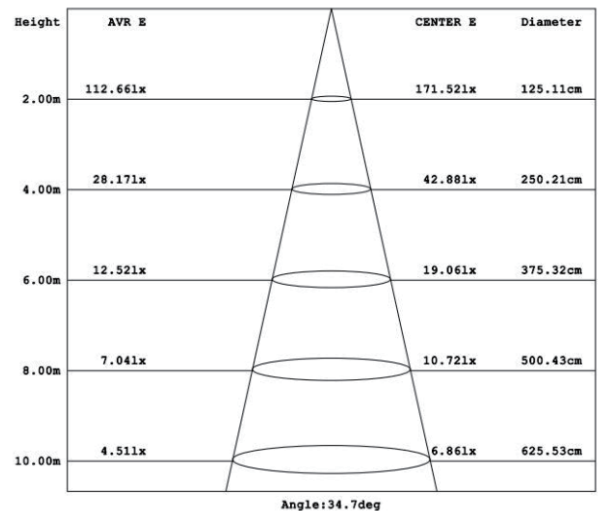
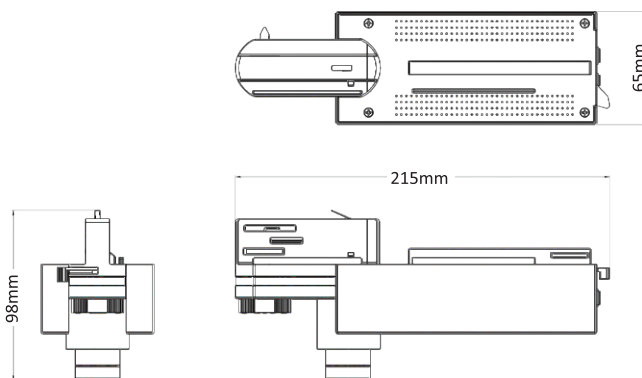
Specifications

Mode of operation	Non-maintained
Operating Temperature	$t_a 0^\circ\text{C} \sim 50^\circ\text{C}$
Battery	LiFePO4, 6.4V, 1.5AH
Charging Monitor	ϕ 5mm green LED
Testing Facility	Test-switch for independent testing
Installation	Track mounted
Colour	White / Black
Luminous Flux	Lumileds ,5050,2.7W-320LM /3.5W-430LM
Lens Angle	$20^\circ/30^\circ/45^\circ/140^\circ$
Mains supply	220-240 Vac, 50Hz/60Hz
Charger	Fully automatic
Recharge period	≥ 16 hours
Emergency Duration	3 hours
Warranty	3 years

Optical Information



Dimension



Contact Us

FANXSTAR TECHNOLOGY CO. LTD

Room B211, Building #3, Leibo Zhongcheng Life Science Park,
22 East Jingxiu Road, Kengzi, Pingshan, Shenzhen, China

+86 138 2520 2080

elaine@fanxstar.com