

Tsong®



【DOB】

## Specificaties voor UFO LED High Bay Lampen

PRODUCT NAAM: UFO LED High Bay Lamps(DOB)

PART NO: SHB100W-230V-  
UFO SHB150W-  
230V-UFO  
SHB200W-230V-  
UFO

Made By	Checked by
Hu	Jason Song



The contact DiamantLED

E-MAIL: [info@diamantled.nl](mailto:info@diamantled.nl)

Website: [www.diamantled.nl](http://www.diamantled.nl)

Address: Ondernemingenweg 6, 5627bv Eindhoven The Netherlands

## Description:

- ★ This product use durable and long life span LED light source, downy light, no glare, simple design.
- ★ This product waterproof and dustproof level 65. Can be used in various of places.
- ★ Mainly use the aluminum alloy as the material with PC lens . Work safely and durable under different conditions.
- ★ Adopted 2835 SMD Led light source, Large-Size Chip with High brightness and low light fades, Enough Current margin, Led chip Rated current 150mA, actual use only 120mA, Extend led Lights lifespan and increase Light Efficiency.
- ★ Warm/pure/cool white all avialble with high CRI
- ★ Integrated fixture structure, Air convection design for reliable lifetime.

## Applications:

For the workshop, factory, warehouse, highway toll stations, gas stations, supermarkets, exhibition halls, stadiums and Other places of lighting required.



## Photo



100W



150W



200W

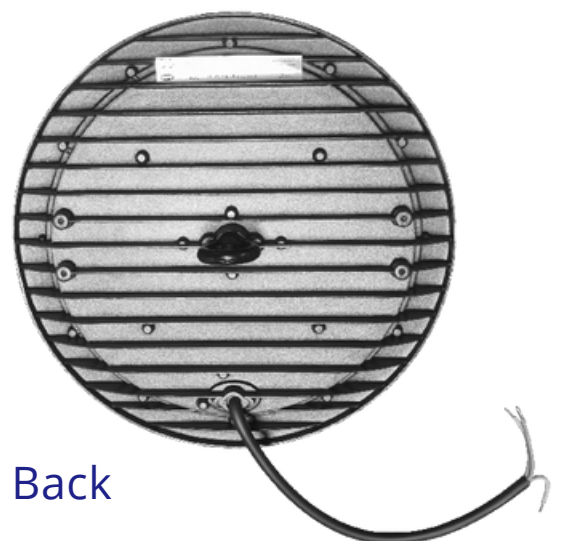
Leds and Lens



Aluminium enclosure



Front

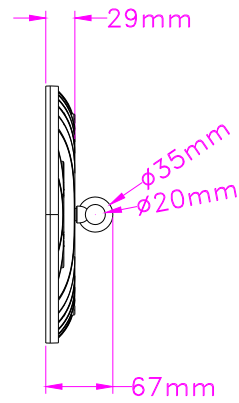
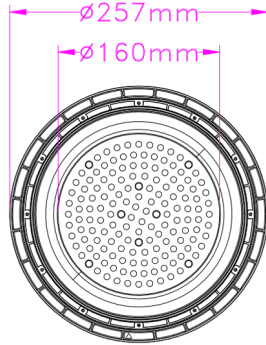


Back

## Dimensions(Unit:mm)

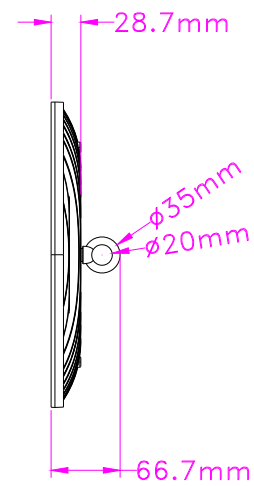
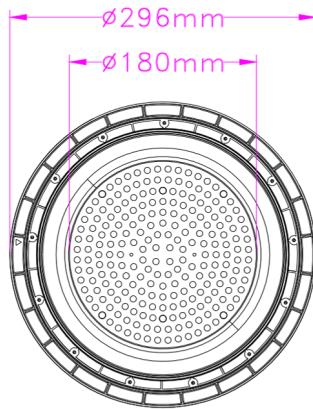
100W

Φ257\*H29mm



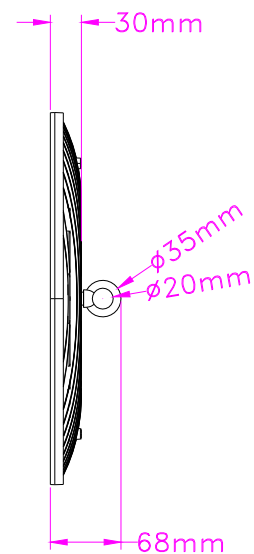
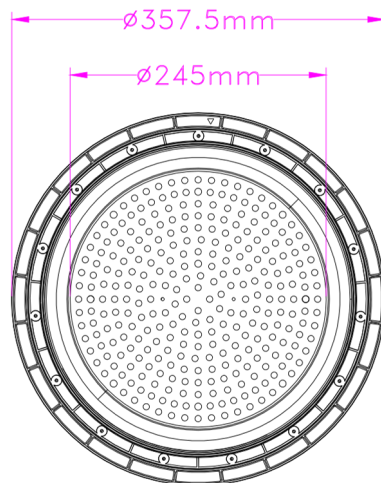
150W

Φ296\*H28.7mm



200W

Φ357.5\*H30mm



## Electrical/Optical Characteristics/Specifications

### MODEL:SHB100W-230V-UFO

Input Voltage	Max.Current	Operating Voltage	Constant Current	Power	Factor	
AC200-240V	0.5A	DC216V	0.4A	100W ± 10%	≥0.9	
LED Type	LED Q'ty	CRI	CCT	2900-3100K	4000-4500K	5500-6000K
			Luminous efficiency	110LM/W	120LM/W	120LM/W
SMD2835	144PCS	≥80Ra	Luminous flux	11500LM±10%	12000LM±10%	12000LM±10%
			Beam Angle	90°		
Life Time	Certifications	IP Code	Luminaires Class	product dimension	N.W	
50.000Hours	CE,RoHS	IP65	Class I	Φ257*29mm	0.78Kg	
Operating Temperature	Storage Temperature	Humidity Operating	Humidity Storage	Packing dimension	G.W	
-20 °C to+50 °C	-30 °C to+60 °C	10-80%RH	10-90%RH	L290*W45*H290mm	0.88Kg	
Outer carton package	10*1layer=10PCS/carton,K=K corrugated paper,L490*W310*H310mm,GW:9.85KG					
Optional dimming type	Non Dimmable					

### MODEL:SHB150W-230V-UFO

Input Voltage	Max.Current	Operating Voltage	Constant Current	Power	Factor	
AC200-240V	0.75A	DC216V	0.6A	150W ± 10%	≥0.9	
LED Type	LED Q'ty	CRI	CCT	2900-3100K	4000-4500K	5500-6000K
			Luminous efficiency	115LM/W	120LM/W	120LM/W
SMD2835	216PCS	≥80Ra	Luminous flux	17250LM±10%	18000LM±10%	18000LM±10%
			Beam Angle	90°		
Life Time	Certifications	IP Code	Luminaires Class	product dimension	N.W	
50.000Hours	CE,RoHS	IP65	Class I	Φ296*28.7mm	1.1Kg	
Operating Temperature	Storage Temperature	Humidity Operating	Humidity Storage	Packing dimension	G.W	
-20 °C to+50 °C	-30 °C to+60 °C	10-80%RH	10-90%RH	L330*W45*H330mm	1.2Kg	
Outer carton package	10*1layer=10PCS/carton,K=K corrugated paper,L490*W350*H350mm,GW:12.7KG					
Optional dimming type	Non Dimmable					

## Electrical/Optical Characteristics/Specifications

### MODEL:SHB200W-230V-UFO

Input Voltage	Max.Current	Operating Voltage	Constant Current	Power	Factor	
AC200-240V	1.0A	DC216V	0.8A	200W ± 10%	≥0.9	
LED Type	LED Q'ty	CRI	CCT	2900-3100K	4000-4500K	5500-6000K
			Luminous efficiency	115LM/W	120LM/W	120LM/W
SMD2835	288PCS	≥80Ra	Luminous flux	23000LM±10%	24000LM±10%	24000LM±10%
			Beam Angle	90°		
Life Time	Certifications	IP Code	Luminaires Class	product dimension	N.W	
50.000Hours	CE,RoHS	IP65	Class I	Φ357.5*30mm	1.6Kg	
Operating Temperature	Storage Temperature	Humidity Operating	Humidity Storage	Packing dimension	G.W	
-20 °C to+50 °C	-30 °C to+60 °C	10-80%RH	10-90%RH	L395*W45*H395mm	1.7Kg	
Outer carton package	10*1layer=10PCS/carton,K=K corrugated paper,L490*W415*H415mm,GW:18.05KG					
Optional dimming type	Non Dimmable					

## Packing Info



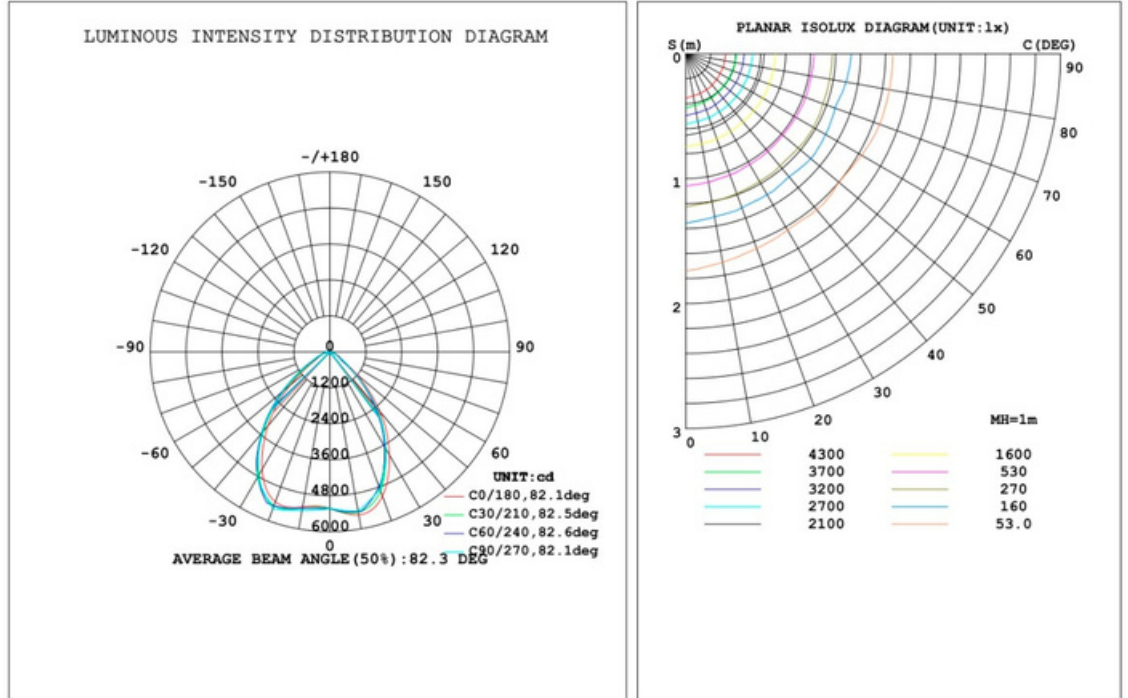
10 PCS/carton

### Cautions:

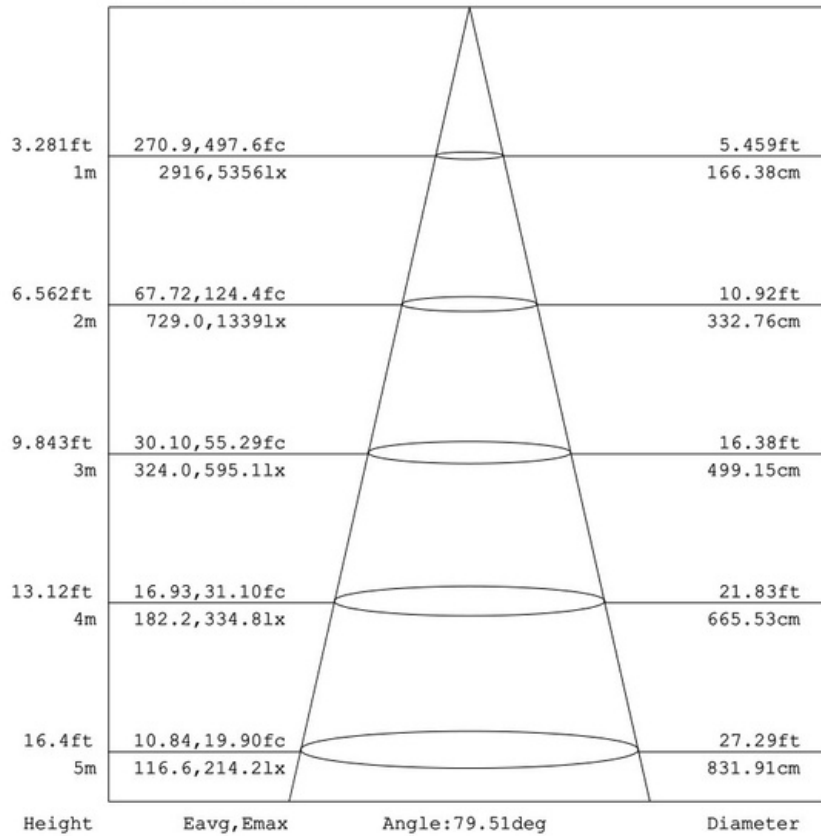
- 1.This product must be installed by professionals;
- 2.If there is any damage on the power line or shell, it should be taken as defective product and should not be used;
- 3.High voltage, non-professionals are not allowed to install, disassemble the product or connect wires.

## Test report

### 100W



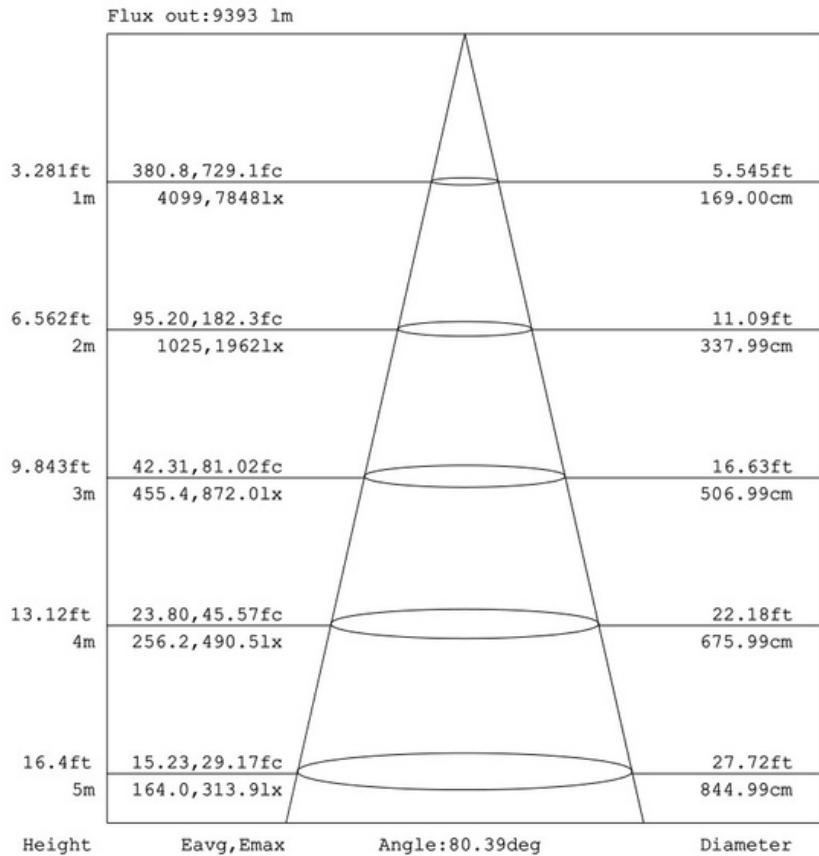
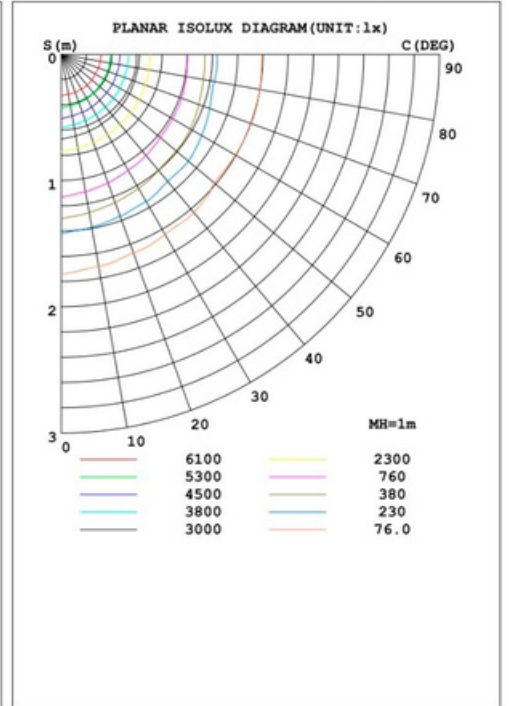
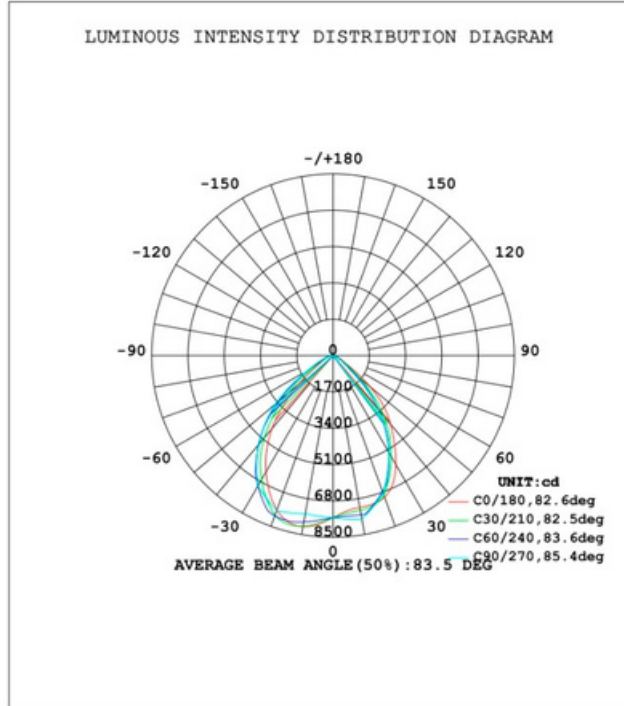
Flux out: 6450 lm



Note: The Curves indicate the illuminated area and the average illumination when the luminaire is at different distance.

## Test report

### 150W

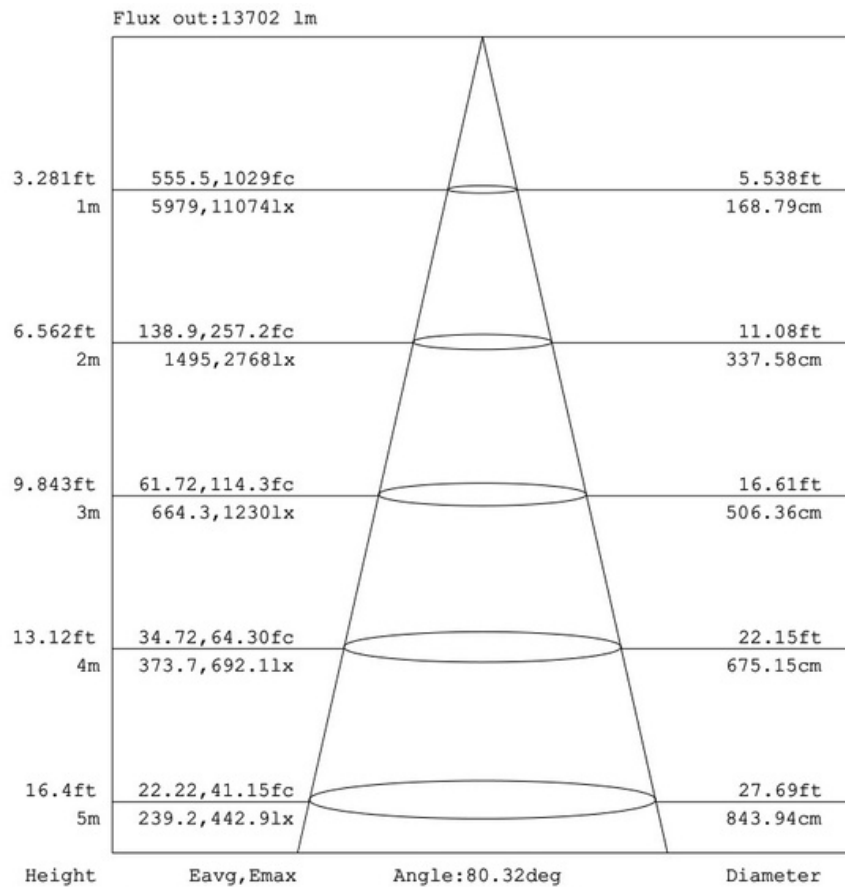
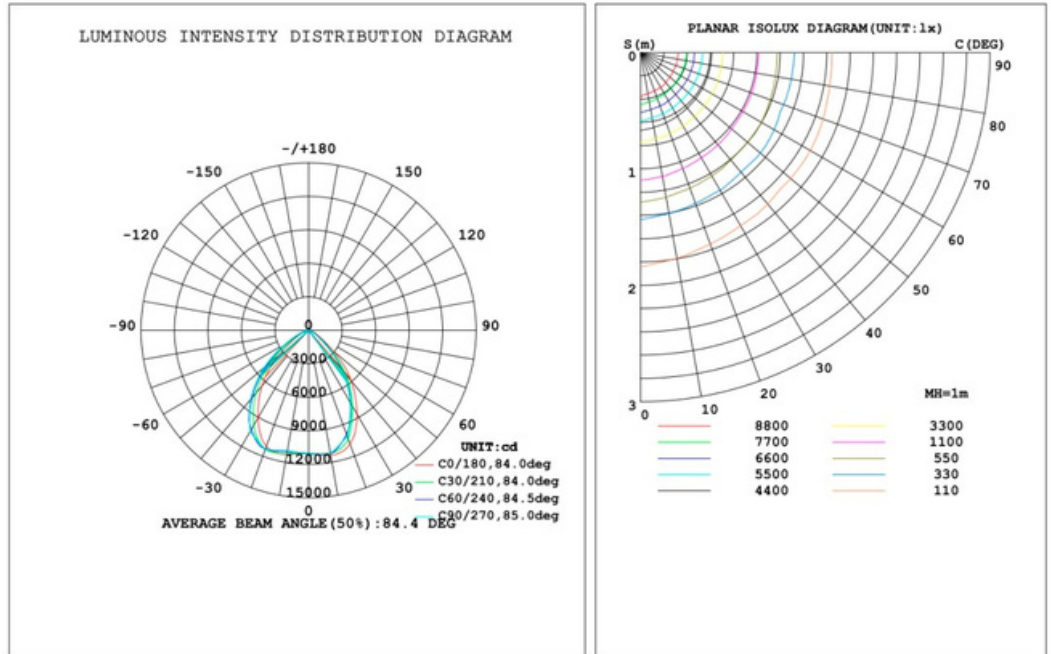


Note: The Curves indicate the illuminated area and the average illumination when the luminaire is at different distance.



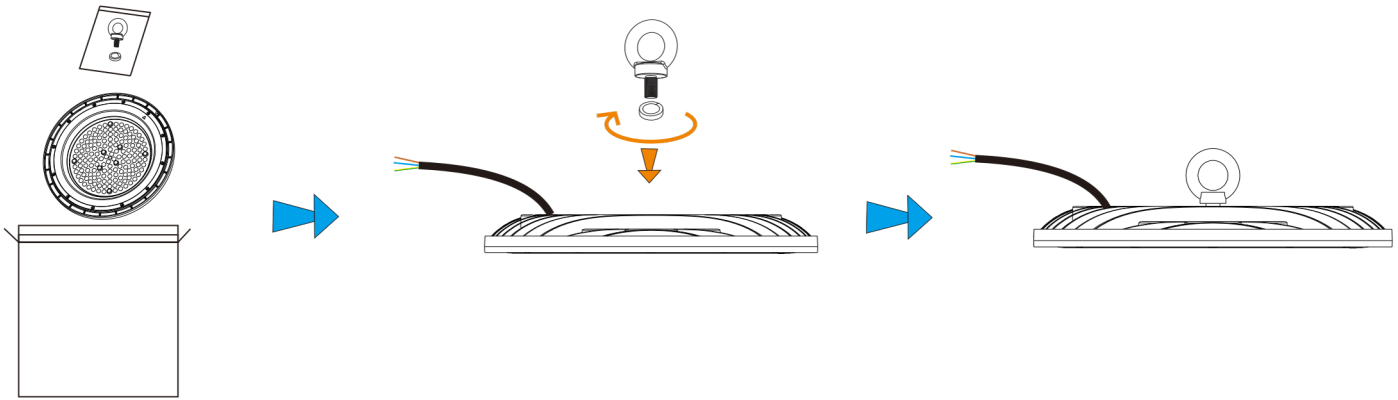
## Test report

# 150W



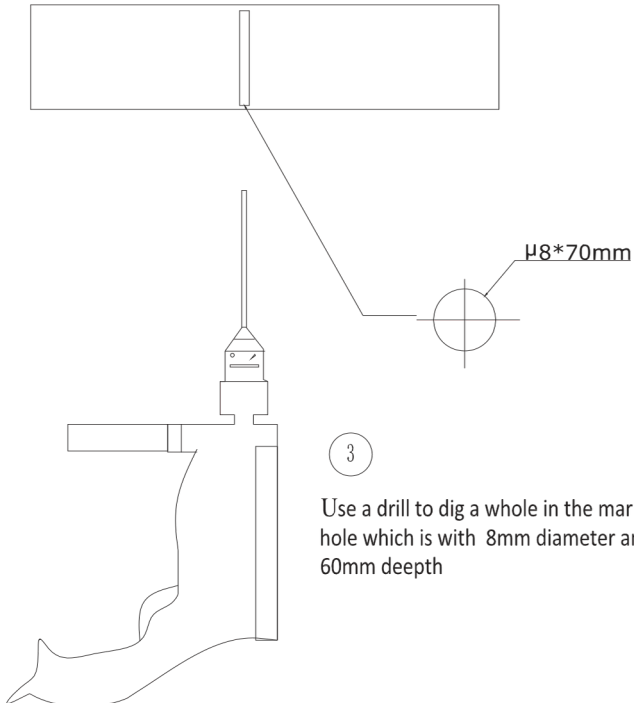
Note: The Curves indicate the illuminated area and the average illumination when the luminaire is at different distance.

## UFO LED High Bay lamps use method

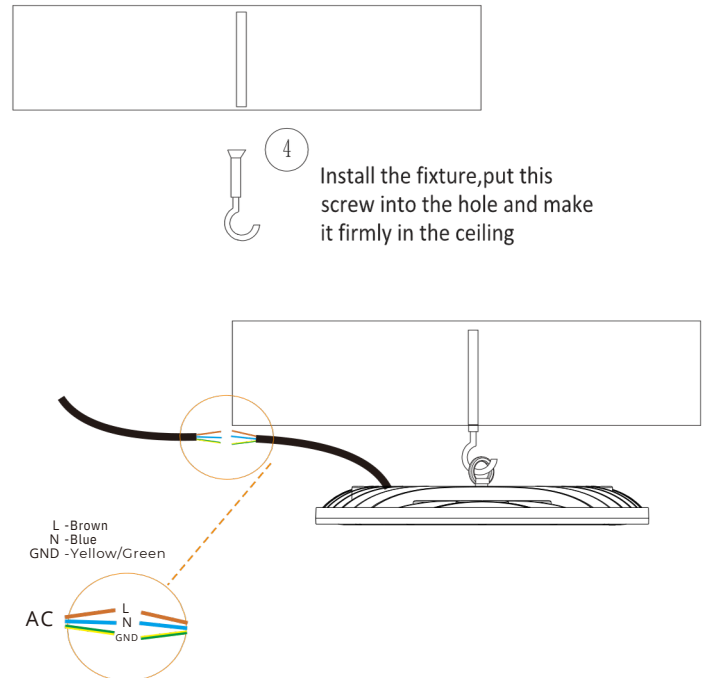


① Open the box and take out the UFO and mounting bolt and spring washer

② Tighten the mounting bolt and spring washer to the UFO



③ Use a drill to dig a whole in the marked hole which is with 8mm diameter and 60mm depth



④ Install the fixture, put this screw into the hole and make it firmly in the ceiling

AC  
L - Brown  
N - Blue  
GND - Yellow/Green

⑤ Hang on the light and connect the wire. Then light up to test

## Notes:

1. Please always use the light out of its package.
2. Before starting use of the light, please check if the light was damaged during transportation. If any damage shown, please DO NOT install or use it.
3. Any maintenance should be performed by trained professionals only.
4. Keep packaging material away from the reach of children and pets. Risk of suffocation!
5. Caution. The packaging contains small parts that may be swallowed by children.
6. Never leave children unattended in the vicinity of the lights and do not allow them to play with electrical devices.
7. Try to avoid looking directly in the LED beam—especially for extended periods of time. Do not shine the LED light in another person's eyes.
8. Never cover the lights by other objects.
9. Never allow the light to come into contact with open flames or external heat sources.
10. The products need to re-repair inspection or special treatment of retirement after service time.
11. Non-professionals are not allowed to disassemble and maintain the products. We have the right not to provide after-sale service if unauthorized disassembly and maintenance happens to the products.